

Spare Parts List

DISKMASKIN DISHWASHER

GESCHIRRSPÜLMASCHINE

Produktnummer Product number Produktnummer	Spänning Voltage Spannung	Effekt Loading Leistung	Vattentemp. °C Water temp. °C Wassertemp. °C	Torkmedelsdosering Drying agent injector Trockenmittelinjektor	Anm. Notes Anm.
Isolerad modell - Non insulated model - Nicht isolierte Modelle					
975 88 01-02	380V 3N 50	9,0 kW	55-65	x	
975 88 02-01	220V 3 50	13,5 kW	55-65		
975 88 08-01	380V 3 50	9,0 kW	55-65	x	
975 88 09-01	440V 3 60	9,0 kW	55-65	x	
97 60 03 03-01	380V 3N 50	13,5 kW	5-20	x	
97 60 03 05-01	415V 3N 50	13,5 kW	5-20	x	
97 60 03 06-01	380V 3N 50	13,5 kW	5-20	x	
97 60 03 09-01	200V 3 50	9,9 kW	55-65		
97 60 03 10-01	200V 3 60	9,9 kW	55-65		
97 60 03 24-01	380V 3N 50	13,5 kW	5-20	x	
97 60 03 25-02	380V 3N 50	13,5 kW	5-20	x	
97 60 03 30-01	200V 3 50	9,9 kW	55-65		
97 60 03 31-01	200V 3 60	9,9 kW	55-65		
97 60 03 35-01	400V 3N 50	13,5 kW	55-65		
97 60 03 36-01	220V 3 50	13,5 kW	55-65		
97 60 03 40-01	380V 3N 50	9,0 kW	55-65	x	
97 60 03 41-01	380V 3N 50	13,5 kW	5-20	x	
Isolerad modell - Insulated model - Isolierte Modelle					
975 88 21-02	380V 3N 50	9,0 kW	55-65	x	1)
975 88 22-01	220V 3 50	13,5 kW	55-65		1)
975 88 23-01	380V 3N 50	13,5 kW	5-20	x	1)
97 60 04 05-01	380V 3N 50	13,5 kW	5-20	x	1)
97 60 04 19-01	380V 3N 50	9,0 kW	55-65	x	1)
97 60 04 22-02	380V 3N 50	13,5 kW	5-20	x	1)
97 60 04 31-02	380V 3N 50	9,0 kW	55-65	x	1)
97 60 04 32-01	380V 3N 50	9,0 kW	55-65	x	1)
97 60 04 35-01	400V 3N 50	13,5 kW	55-65		1)
97 60 04 36-01	220V 3 50	13,5 kW	55-65		1)
97 60 04 37-01	380V 3N 50	13,5 kW	5-20	x	1)
97 60 04 38-01	380V 3N 50	9,0 kW	55-65	x	1)
97 60 04 39-01	380V 3N 50	6,1 kW	55-65	x	1)
97 60 05 01-01	380V 3N 50	9,0 kW	55-65	x	1)
97 60 05 01-02	380V 3N 50	9,0 kW	55-65	x	1)
97 60 05 02-02	380V 3N 50	9,0 kW	55-65	x	

1) Utvändigt fjädersystem - Outside spring system - Auswendig Federsystem

Sida Page Seite	Innehåll	Contents	Inhalt
3	Huv	Hood	Haube
5-9	Spölsystem	Rinsing system	Spülsystem
11	Stativ och plåtar	Base and panels	Gestell und Blech
13	Pump och avlopp	Pump and drain	Pumpe und Ablauf
15-17	El. detaljer	El. details	El. Komponenten
19-21	Genomsströmare	Booster heater	Durchlauferhitzer
23	Pump	Pump	Pumpe
25-29	Utvändigt fjädersystem	Outside spring system	Auswendig Federsystem
30-61	Unika detaljer/ produktnummer	Unique parts/ product number	Einzige Teile/ Produktnummer

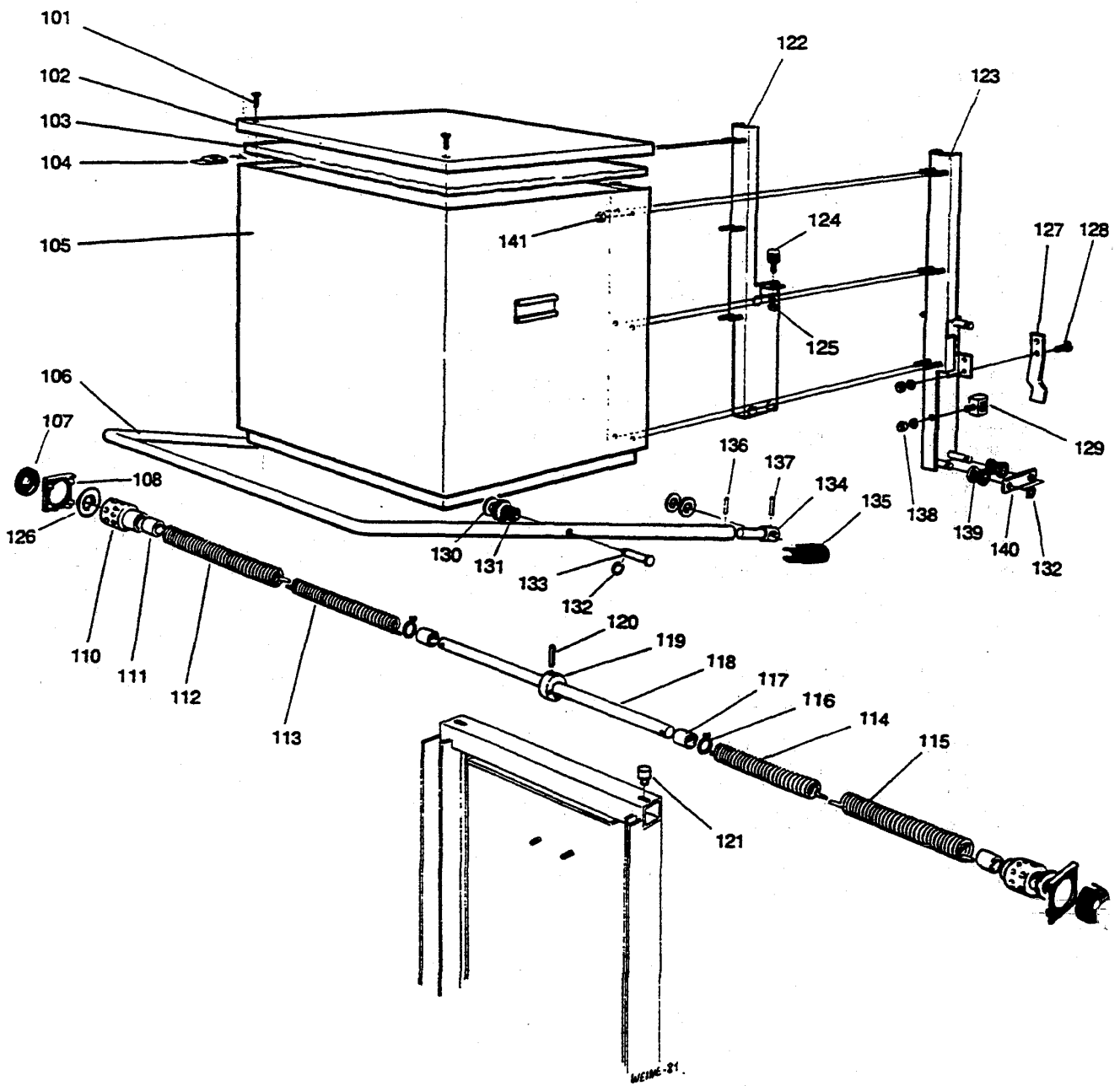


ILLUSTRATION 201 16

??????	9760030301								
??????	4761522-17	???????? 2	Hood						
.		Alias		S		.			(Euro)
0101	OK8933	729734240						SCREW	
0102	OKU643	482005700						HOOD; FOR HOOD	
0103	000000	482005500							
0104	OK8693	552203400			A			CATCH NUT	2,29
0105	OKU675	476052400			D			HOOD D48	a,b,c,d,e,f,g,h,i,l,m,n,o,p,q,r,s 914,78
0106	OKP738	476069900						LOOP	a,a1,b,b1,c,c1,d,d1,e,e1,f,f1,g,g1,h,h1,i,i1,l,m 216,19
0107	OK7187	476081501						LID	
0108	OK7163	476063600						LID	
0110	OK7268	477627500						HUB	
0111	OKJ251	738120051						BEARING D48	
0112	0H2123	476070100						SPRING	
0113	OK7180	476070102						SPRING	47,31
0114	OK7181	476070103						SPRING	150,44
0115	OK7179	476070101						SPRING	296,66
0116	0E5184	762915107						HOSE CLAMP	1,05
0117	OKJ238	476118100						BUSHING	
0118	OK7169	476066100						AXIS	
0119	OK7167	476065900						SPRING	
0120	OK8897	721438540						ROD	FRP 8*50
0121	OW1955	476071100						PIN	
0122	OK7393	477839701			D			SUPPORT FOR HOOD	
0123	OK7392	477839700			D			SUPPORT FOR HOOD	a,a1,b,b1,c,c1,d,d1,e,e1,f,f1,g,g1,h,h1,i,i1,l,m,n,o,p,q,r,s,t,u,v,z
0124	OK7183	476080200			D			SHOCK ABSORBER	9,83
0125	OK8936	731231640			A			NUT	1,05
0126	OW1956	477633600						WASHER	
0127	OK7189	476084700			A			SPRING	30,08
0128	OK8906	724132840	OKS985					SCREW	MRX 5*14
0129	088361	461137802						MAGNET	8,66
0130	OK8950	734117309		S	D			WASHER	3,29
0131	OK7191	476084900						ROLLER	4,04
0132	OK8964	735311207	027023		D			C-CLAMP	
0133	OK7192	476085101						SHAFT	
0134	OK7168	476066000						BRACKET	
0135	OK7188	476081600			D			CAPSULE	3,98
0136	OK8895	721425840		S	D			SPLIT PIN	FRP 4*24 0,91
0137	OKJ442	721434340						PIN	FRP 6*28

??????	9760030301								
??????	4761522-17	???????? 2	Hood						
.		Alias		S			.		(Euro)
0138	0K8935	731231440						NUT	1,05
0138	0K8947	734115309			D			WASHER	
0139	0K7934	481979500						ROLLER	47,62
0140	0K7195	476086300		S				LINK	53,37
0141	0K8936	731231640			A			NUT	1,05

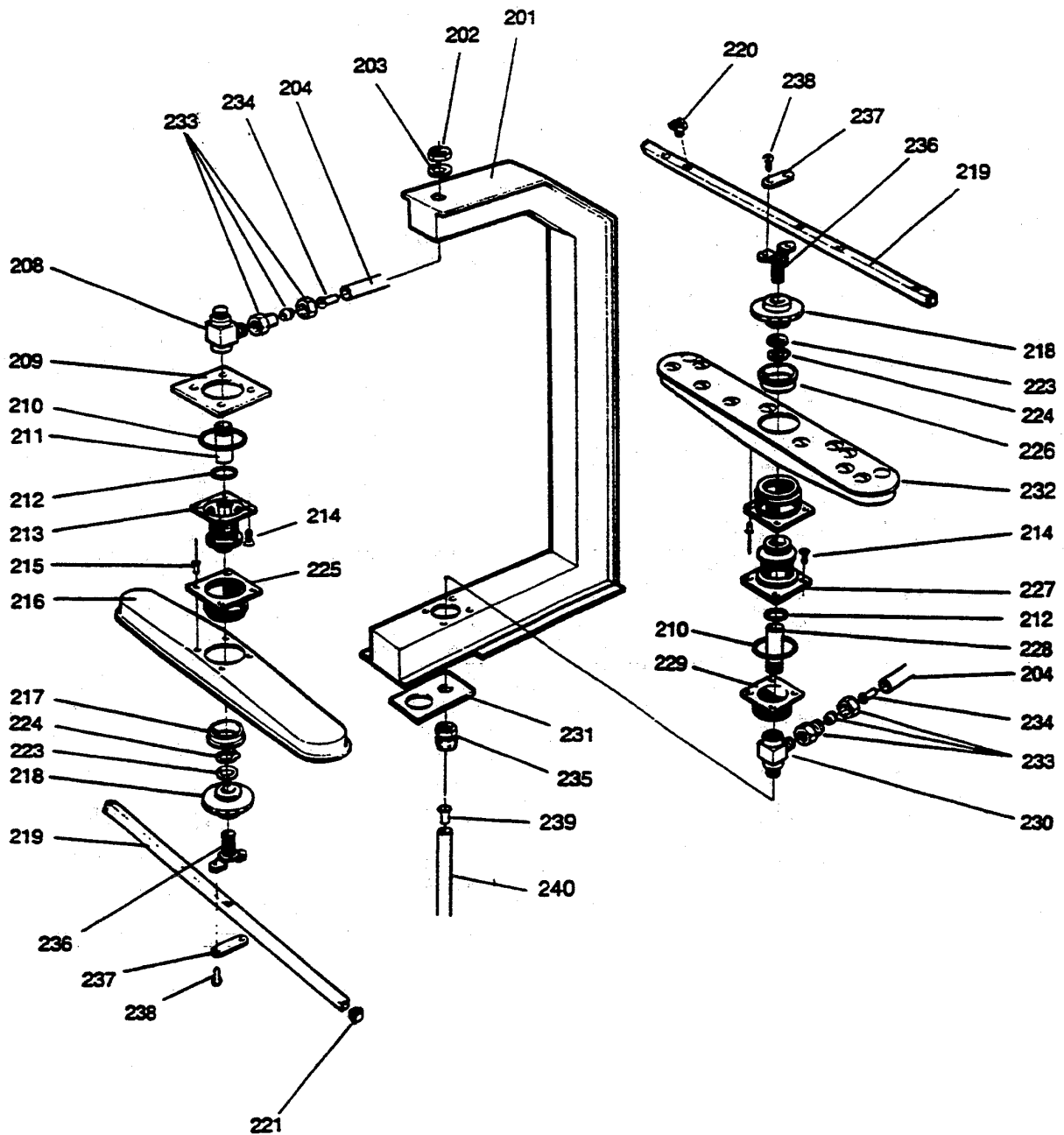


ILLUSTRATION 208.55

??????	9760030301								
??????	4761522-17	???????? 4	Rinsing system						
.		Alias		S			.		(Euro)
0201	OK7177	476069000			D			MAIN PIRE	
0202	OK9016	741111124						NUT	R 3/8" 8,30
0203	OK6655	460819203		S				GASKET	10,19
0204	OK7065	475792524	OK6251					TUBE	
0208	OK7097	475825802		S	D			UNION TEE	37,07
0209	0H2090	475824600						SUPPORT;	110,72
0210	OK9006	740441600						O-RING	2,51
0211	0H2074	475779201						PIPE	
0212	OK8999	740431100		S				O-RING	1,05
0213	OK7262	477617901			A			BEARING SUPPORT	19,43
0214	OK8905	724129240	OKZH88					SCREW	MRX 4*14
0215	OK8904	722784319			D			POP RIVET	
0216	OK7140	476008501						WASH ARM	
0217	OK7055	475780400						GLIDE RING; F. UPPER ARM	79,38
0218	OK7112	475869700		S	A			BEARING	7,10
0219	OK7396	477819200			A			RINSING ARM	270,52
0220	OK6826	464214500		S	A			NOZZLE	2,51
0221	OK7052	475779900		S				PLUG; FOR RINSE ARMS	1,64
0223	OK7070	475794901		S				RING	5,49
0224	OK8966	735311407	OK8967		A			SEEGER CIRCLIP RING	
0225	OK7053	475780200		S	A			ARM BEARING	6,77
0226	OK7054	475780300						GLIDE RING; F. LOWER ARM	34,78
0227	OK7261	477617900		S	A			BEARING SUPPORT	19,11
0228	OK7050	475779200						TUBE	
0229	OK7207	476121400						RETARDING DISK	105,47
0230	OK7096	475825800		S	D			T-CONNECTOR	37,07
0231	OK7211	476125300						GASKET	11,49
0232	OK7139	476008500						WASH ARM	609,17
0233	OK9055	743462510		S	A			COUPLING	29,45
0234	OK8706	552211302						SLEEVE	6,87
0235	OK9047	743412510	OK9055					REPL.= 077743462510	
0236	OK7342	477722500		S	A			BRACKET	9,07
0237	OK7341	477722300		S	A			STOPPER; FOR RINSE ARMS	7,43
0238	OK8930	729528990		S				SHEET METAL SCREW	K 40*10 1,05
0239	OK9046	743412394						SLEEVE	5,26
0240	OK7061	475792500			A			TUBE	a1,c,d,e,f,f1,g,g1,h,h1,i,l,n,o,v,z 100,37

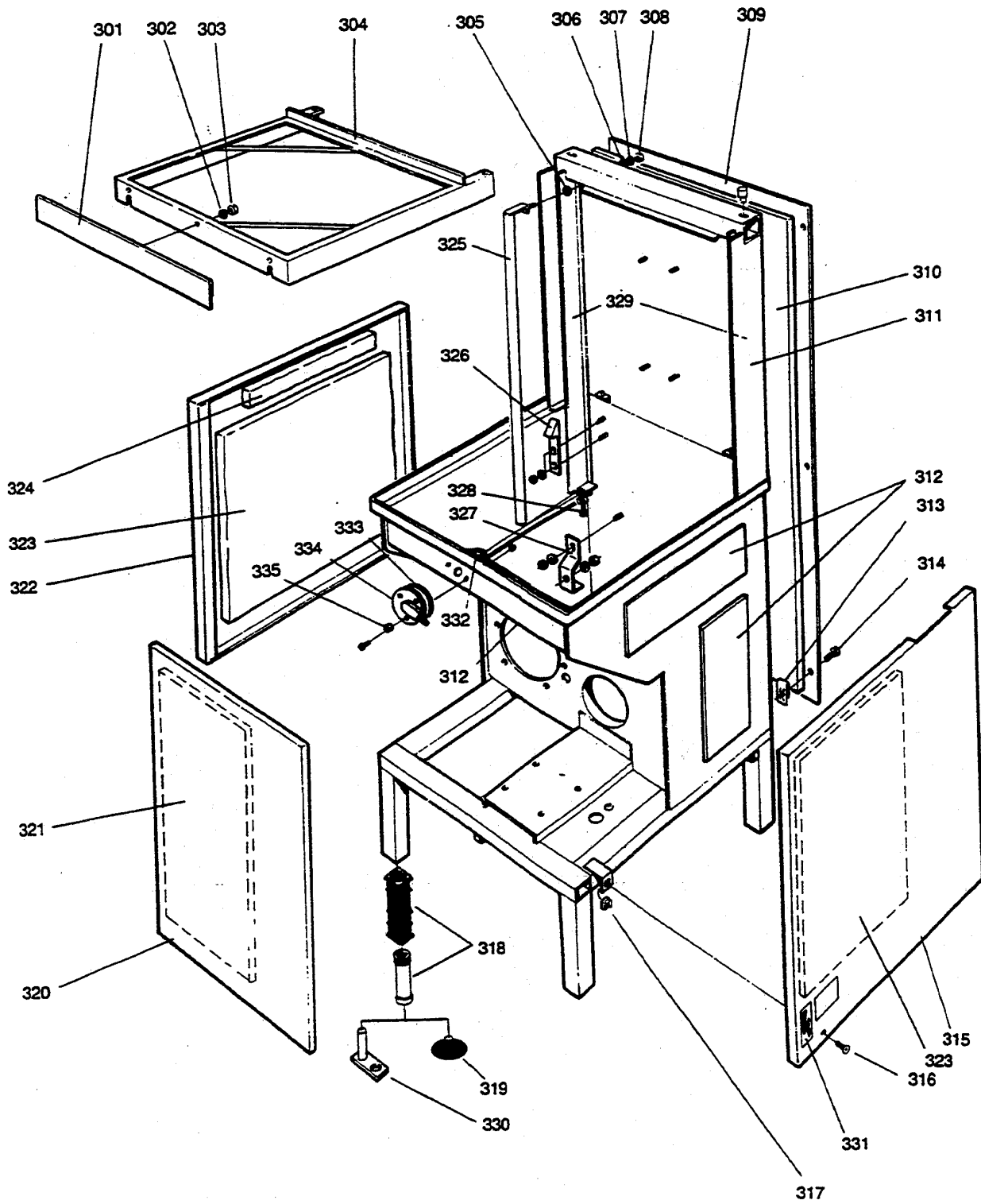


ILLUSTRATION 208 38

??????	9760030301								
??????	4761522-17	???????? 10	Basement and panels						
.		Alias		S		.			(Euro)
0301	000000	478098100							
0302	OK8958	735114640					SPRINGWASHER		1,05
0303	OK8935	731231440					NUT		1,05
0304	OKP138	482061800			D		FRAME COMPL		961,09
0305	OK6110	57039806			A		GASKET		1,88
0306	OK8947	734115309			D		WASHER		
0307	OK8959	735115340					WASHER		1,05
0308	OK8941	732311640		S			NUT		1,67
0311	000000	476082700							
0315	000000	475765101							
0316	OKJ443	724533540			A		SCREW; M5X30		2,51
0317	0W1777	552202500		S			NUT		
0318	OK7142	476012500					FOOT	a,a1,b,b1,c1,d1,e,e1,f,f1,g,g1, h,h1,i,i1,l,m,m1,n,n1,o,p,q,r,s,t ,u,v,z	
0319	OK7019	475755400					DISK FOR FOOT	a,a1,b,b1,c1,d1,e,e1,f,f1,g,g1, h,h1,i,i1,l,m,m1,n,n1,o,p,q,r,s,t ,u,v,z	1,61
0320	OKJ502	476086700					FRONTPLATE D48		394,83
0322	OKN986	475765100					SIDE PLATE		133,67
0324	000000	475856800							
0325	000000	476085701							
0326	OK7190	476084800			D		CATCH		
0327	000000	477973900							
0328	0H2593	725236640					SCREW		1,05
0329	000000	481666400							
0331	000000	769483000							

??????	9760030301								
??????	4761522-17	???????? 12	Pump and drain						
.		Alias		S		.			(Euro)
0401	OK7047	475778700						PERFORATED BOX	
0402	OK7042	475777900						JUNCTION	14,63
0403	0E0136	471244010						GASKET	
0404	OK7213	476130800	OK6953	D				NIPPLE	
0406	OK9162	877525102	072393	A				HOSE; BY METER	
0407	OK7049	475779100						WASHER	105,47
0408	OK4557	11068000						COVER F.AIR TRAP	
0410	OH1998	11068200	OK8297	D				AIR DOME	
0411	OK6953	471244015				Kit		NUT; KIT	6,35
0412	OW1340	741111824	OK9019					NUT	
0413	OK7212	476125700						NIPPLE	130,58
0414	OK8984	736284090						HOSE CLAMP	20,16
0415	OK7174	476067000		A				RUBBER HOSE; L=165 MM	202,61
0418	OK6786	463977801	OK6789					REPL.= 077463977807	
0419	OK8986	736284390	OKI583					HOSE CLAMP	
0420	OK8988	736285590						HOSE CLAMP	38,12
0421	OK7173	476066900						INTAKE	20,30
								a,a1,b,b1,c,c1,d,d1,e,e1,f,f1,g,g1,h,h1,i,i1,m,m1,n,n1,o,p,q,r,s,t,u,v,z	
0422	OKU673	476147300		D				CASE	
0424	OK7043	475778000						OVERFLOW PIPE	
0425	0E0142	740440814						O-RING; ØI=29X3 MM	
0426	OK7044	475778300	0E0141	D				GASKET FOR OVERFLOW	
0427	OK7084	475812402	0E0010					O-RING	
0429	OK8970	735313007	0E5152	A				C-CLAMP	
0430	OK7352	477739400	0E0112					GASKET	
0431	OK7046	475778400	0L1862	A	+			DRAIN PIPE	20,30
								a,a1,b,b1,c,c1,d,d1,e,e1,f,f1,g,g1,h,h1,i,i1,l,m,m1,n,n1,o,p,q,r,s,t,u,v,z	
0432	OKZA01	731231840		S				NUT	1,05
0433	OK7245	477606000		A				PUMP; 220/380V 50HZ	500,30
								a,a1,b,b1,c,c1,d,d1,e,e1,f,f1,g,g1,h,h1,i,i1,l,m,m1,n,n1,o,p,q,r,s,t,u,v,z	
0434	OK8948	734116409		S	D			WASHER	1,47
0438	000000	476121201							
0439	000000	552203500							
0440	OKV093	482017200						HOSE	
0441	000000	481950600							
0442	0E5585	552201800	0E2365					CABLE GROMMET	
0443	OK8075	482132200	046370					WASH PUMP	
0444	OKS503	734488440		D				WASHER	

??????	9760030301								
??????	4761522-17	???????? 12					Pump and drain		
.		Alias		S			.		(Euro)
0445	0K8958	735114640					SPRINGWASHER		1,05
0446	0K8935	731231440					NUT		1,05

??????	9760030301								
??????	4761522-17	???????? 14	Electric components						
.		Alias		S		.			(Euro)
0501	000000	477933200						c,d,d1,e,f,h,i,z	
0502	OK7786	481840000	OG8002		A		THERMOMETER		
0505	OH2064	475765000			D		SWITCH	a1,d1,e,e1,f,g,l,p,v,z	
0506	OKU479	477604400			D		CONNECTION PLATE		124,30
0507	000000	476109810							
0508	OK7205	476109802			A		PRESSURE SWITCH; LEV. 70/30-130/40		77,81
0509	003598	767511209					CONTACTOR; 220-240V 50HZ/240-264V 60HZ	b1,e,f,g,g1,l,m,v,z	
0510	003598	767511209					CONTACTOR; 220-240V 50HZ/240-264V 60HZ	a,a1,b1,c,c1,d,d1,e,e1,f,g,g1, h1,l,m,m1,n1,p,r,s,t,v,z	
0511	003598	767511209					CONTACTOR; 220-240V 50HZ/240-264V 60HZ	a,a1,b,b1,c,c1,d,d1,e,e1,f,f1,g, g1,h1,l,m,m1,n1,p,q,r,s,t,u,v,z	
0512	OK8682	552202420					OVERLOAD CUTOFF; 2,4-4A	a,a1,b1,c,c1,d,d1,e,e1,g,g1,h 1,l,m,m1,n1,p,r,s,t,v,z	192,22
0515	078029	481950100			A		SAFETY THERMOSTAT; 126 C	a1,b,c,d,d1,e,e1,f,f1,g,g1,h,h1 .i,l,n,o,p,q,u,v,z	57,86
0517	OK7034	475770400			A		THERMOSTAT; 110 C		130,58
0518	OK7034	475770400			A		THERMOSTAT; 110 C	b,b1,e,e1,f,g,g1,l,m,p,u,z	130,58
0519	OK7071	475795400	OC3751		A		SPACER	a,a1,b,b1,c,c1,d,d1,e,e1,f,f1,g, g1,h,h1,i,i1,l,m,m1,n,o,p,q,r,s, t,u,v,z	
0520	OK7271	477628002			A		ELECTRONIC PCB; WT60 AND D48	e,f,g,l,v,z	445,97
0523	OK6813	464144105					EARTH CONNECTION BAR	a,a1,b,b1,c,c1,d,d1,e,e1,f,f1,g, g1,h,h1,i,l,m,m1,n,o,p,q,r,s,t, u,v,z	
0524	OK6819	464174600					CLAMP		
0525	000000	464387000							
0526	000000	461426917							
0527	OKV106	762711990					ENDPLATE 220V	b,b1,e,f1,g,h,i,l,m,n,o,q,u,v,z	
0528	OK9090	762710905					TERMINAL CONNECTION 220V	b,b1,e,f1,g,g1,h,i,l,m,n,o,q,u,v, z	
0529	OE1589	762714690					STOPPING		
0530	000000	762720191							
0531	OE5385	477626900							
0532	000000	464042100							
0533	OKU155	552210000					NUT		6,79
0537	OT3835	877549101			D		STOPFBUECHSE		15,95
0538	OK9163	877549100					SEALING SLEEVE		
0539	OK9082	762110855					NUT		
0540	OK9083	762110955			D		NUT		
0542	000000	762110105							
0543	000000	475810902							
0546	OK7263	477624301					DEFENCE HOSE		32,06
0547	OH2202	477717000							

??????	9760030301									
??????	4761522-17	???????? 14	Electric components							
.		Alias		S			.			(Euro)
0548	0KL467	477973800			D			PROTECTION COVER	a,a1,b,b1,c,c1,d,d1,e,e1,f,f1,g,g1,h,h1,i,l,m,m1,n,o,p,q,r,s,t,u,v,z	119,06
0550	0H2082	475782400						LAMP	a1,b,c,d,d1,e,e1,f,g,g1,h,i,l,p,u,v,z	
0551	0K7123	475934610						MOUNTING SLIDE	b1,c,c1,d,d1,e,e1,f,f1,g,g1,h,h1,i,l,m,m1,n,n1,o,p,q,r,s,t,u,v,z	

??????	9760030301									
??????	4761522-17	???????? 18	Boiler							
.		Alias		S			.			(Euro)
0601	OK6166	63633002	OKL600					TERMINAL		
0604	OK7588	478095300						SUPPORT		108,66
0605	OKL071	477968000	0E5619					STUFFING BOX		
0606	OK7004	475739801						BOILER FLANGE		159,80
0607	OK7057	475783400						CONNECTING PLATE		84,08
0608	OK7006	475742700						LID		123,27
0609	OK7095	475825101						BRACKET		29,35
0611	OK9087	762180320						ADAPTER		
0612	OK9083	762110955				D		NUT		
0613	OK7263	477624301						DEFENCE HOSE		32,06
0616	OK7980	482017001	OK7983					HEATING ELEMENT; 4000W	b,e,f1,g,g1,l,q,u,v,z	
0617	OK8093	482148900				A		GASKET; Ø=222 MM		30,60
0618	OK7048	475779000						RING		69,56
0619	OK7468	477958401						BOILER		
0620	OK9061	743463530						ANGULAR CONNECTION; 1/2" - 15MM		36,24
0621	OK7681	481687600	0E5544					TUBE		
0622	OK6652	460816102						RADIATOR VALVE; 1/2" MF		84,60
0624	0H2412	482000001				A	Kit	SOLENOID VALVE+COIL; 1/2" 230V 50HZ; KIT	a1,b,c,d1,e,f1,g,g1,h1,l,q,u,v,z	221,24
0627	OK7653	481666700						FILTER		115,97
0628	0E2887	741520924						PLUG; 1/8"		5,87
0630	0T3835	877549101				D		STOPFBUECHSE		15,95
0631	OK7985	482017100	OK8692					REPL.= 077552203201		
0632	OK9000	740431114						O-RING		1,72
0633	OK7354	477740800		S		A		GASKET; FOR BOILER		11,14
0634	OK6772	463970000						CONNECTOR; F/SOLENOID VALVE		
0635	OK9037	741521124						STOPPER		
0636	OK8196	482293400						HYDRAULIC DISPENSER	a1,c,d1,e,f,g,g1,h1,l,v,z	185,94
0639	OK7171	476066400	049966			A		MAGNETIC SWITCH; 170 CM		
0640	OKP074	476085000						CLAMP		
0641	000000	462130602								
0643	OK6165	63632302						CONNECTION PLUG	Pr 18,6	1,51
0644	OK9084	762111255						NUT		2,29
0645	OK9088	762211206						SLEEVE	a1,c,d,d1,e,e1,g,g1,h1,l,p,v,z	17,15
0649	OK7786	481840000	0G8002			A		THERMOMETER		
0650	OK7791	481840010				A		FITTING; 3/8"M-F		20,79
0664	OK7750	481753300		S				HOSE; BY METER	a1,c,d,d1,e,f,g,g1,h1,l,v,z	13,43

??????	9760030301								
??????	4761522-17	???????? 18	Boiler						
.		Alias		S		.			(Euro)
0665	0K7612	481606910			A		SCREW CONNECTION	a1,c,d,d1,e,f,g,g1,h1,l,v,z	15,29

??????	9760030301								
??????	4761522-17	???????? 22	Pump						
.		Alias		S		.			(Euro)
0701	OKJ137	477606032			D		FANCOVER	1414041	42,30
0702	OK7252	477606031					FAN WHEEL FOR PUMP	742021	15,77
0703	000000							1204031	
0704	000000								
0705	OK7255	477606109					PUMP COVER	1204304/R	124,30
0706	OK7249	477606025	049562				REJECTION RING	F3022	
0707	OK8387	477606020					SHAFT SEALING CPL.		46,89
0707	OK8387	477606022					SHAFT SEALING CPL.	-26	46,89
0707	OK8387	477606023					SHAFT SEALING CPL.	-21	46,89
0708	000000								
0709	OK7248	477606024	048626				O-RING	D=158,34	
0710	OK7250	477606026			A		PUMP RUNNER	128315	42,93
0710	OK7251	477606027					PUMP RUNNER	32078,75	38,75
0711	OK7247	477606021					NUT	M8	10,81
0712	OK7253	477606035					PUMP HOUSING	1204303	65,18
0713	OK7258	477606138					SCREW	M4*25	
0714	OKG264	477606033					TERMINAL BOARD	1486 090	
0715	000000	477606036						1204012	
0716	OK8991	738220317	OKC263				BALL BEARING	6203 22	